



# Articulated Boom Lift

Model : DBA-20 / 10

PAP-A-5/4/5, Chakan Industrial Area, Phase-4, Nigoje Village, Tal - Khed, Pune - 410501

Contact: +91 8600117822 / 9011067039

Email: marketing2@daedalusind.com / sales@daedalusind.com

## Specifications

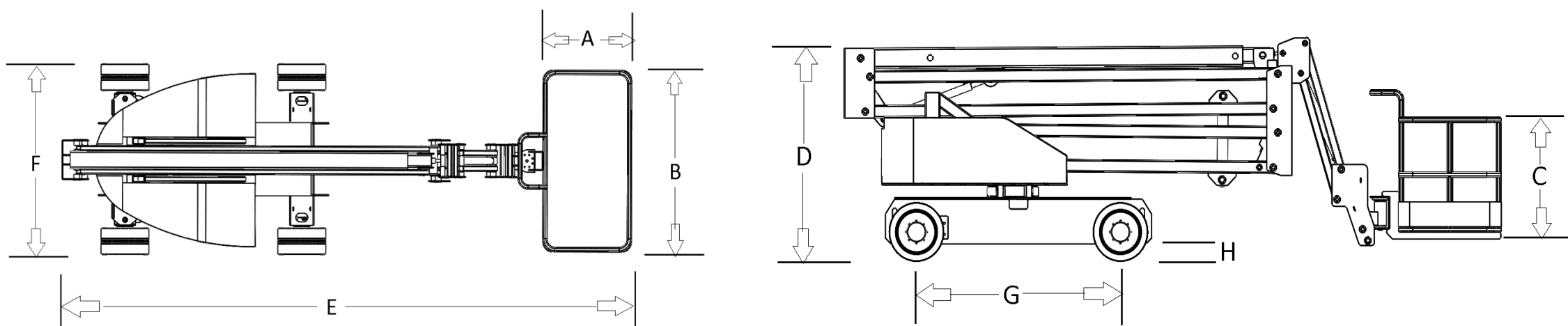
Models		DBA- 20 / 10	
Measurements		Feet	Metric
Maximum Working Height*		65 ft	20 m
Maximum Platform Height		59 ft	18 m
Maximum Horizontal Outreach**		30 ft	9.2 m
Platform Length		2.9 ft	0.9 m
Platform Width		7.5 ft	2.3 m
Guardrail Height		3.6 ft	1.1 m
Height	Stowed	8.5 ft	2.6m
Vehicle Dimensions	Height	8.5 ft	2.6m
	Length	28 ft	8.5 m
	Width	8.2 ft	2.5 m
Wheelbase		8.2 ft	2.5 m
Ground Clearance		0.7 ft	0.24 m

## Productivity

Maximum Occupancy***		2 People
Lift Capacity		225 Kgs.
Platform Rotation		140 Degree
Vertical Jib Rotation		130 Degree
Turntable Rotation		340 Degree Non-Continuous
Gradeability****	Uphill	30%
Drive		4WD
Drive Speed	Stowed	4.8 kmph
	Raised	1.0 kmph
Turning Radius	Outside	3.9 m
Control		24 V DC
Tyres		23" X 10"

## Power

Power Source	8 X 6V 225 Ah Batteries
Auxiliary Power Unit	24 V DC
Hydraulic tank Capacity	60 Ltr.
Weight*****	8500 Kgs.



\* The metric equivalent of working height adds 2 m to platform height.

\*\* Max Occupancy should not in any circumstances be more than 2

\*\*\* Weight will vary depending on options and/or country standards.

Note : Images are for reference only. They are not to be considered for actual visual appearance.